

South Elevation

Notes

1. Drawing indicative - final design by blacksmith.
2. No existing stonework is to be altered or damaged during the fixing of new barriers. Fixings in all cases to be made into mortar joints to ensure proposed works are later reversible.
3. All works associated with preparing historic fabric to take new metalwork (ie identifying final fixing positions and raking or drilling of joints) to be carried out by HES MCU
4. All metalwork fixed into masonry joints is to be non-ferrous (bronze or 316 grade stainless steel). Main barrier formed as off-site manufactured frame in mild steel square; interface of non-ferrous 'armature' stubs and mild steel rail splice jointed and grub screwed.
5. Once fixing locations are identified and cleared out, metalwork contractor to prepare new metalwork armatures to suit fixing locations including, where necessary, forming flat bar tangs to allow location in joints without damage to adjacent stonework.
6. New non-ferrous armatures secured into prepared pockets in joints with Hilti HIT-HY 270 hybrid mortar. Resin finished recessed to allow final repoint in lime mortar.



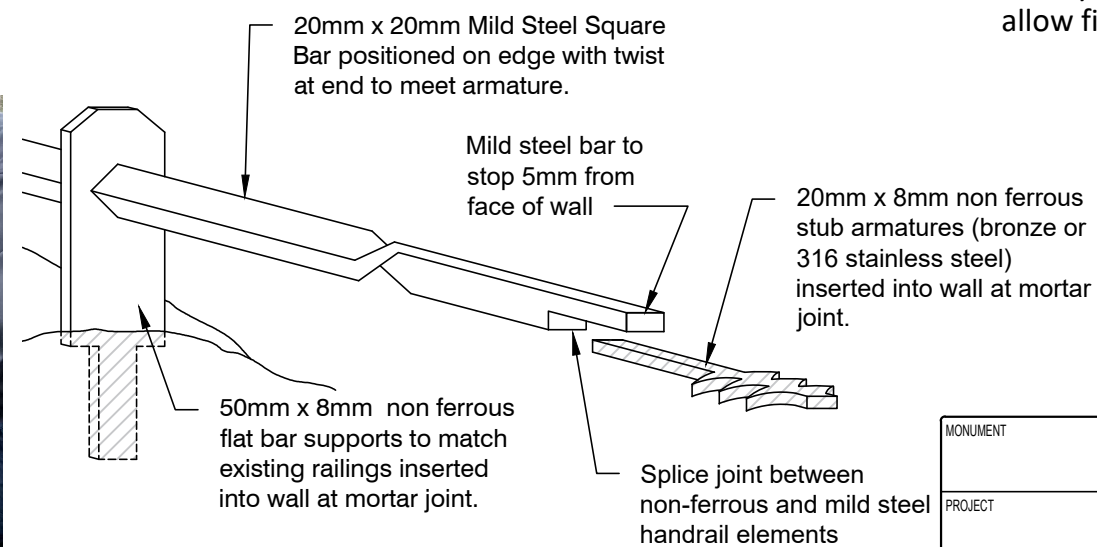
Barrier 1.

Bar stops at furthest vertical fixing and is solely fixed into rough rack wall head rather than elevation of tower.



Barrier 2.

Both Barriers to be at the same height and inline with each other.



Detail

Barrier to be made of 20mm x 20mm mild steel bar with 20mm x 8mm non ferrous stub armatures inserted into mortar joints of rough rack consolidated wall head. Interface of non-ferrous armature stubs and mild steel rail splice jointed and grub screwed. 50mm x 8mm non ferrous flat bar supports fixed into mortar joints of wall head.

SMC

MONUMENT	PIC164 - Tantallon Castle
PROJECT	Wall Walk Barriers Indicative Design

	HISTORIC ENVIRONMENT SCOTLAND	ÀRAINNEACHD EACHDRAIDHEIL ALBA

PROJECT DRAWING NUMBER		PIC164-OSR-DRG-230908-03-V0	
SCALE	NTS @A3	ARCHITECT	C Cruickshank
DATE	November 2023	DRAWN BY	I Cernicchiaro
ARCHIVE NUMBER			