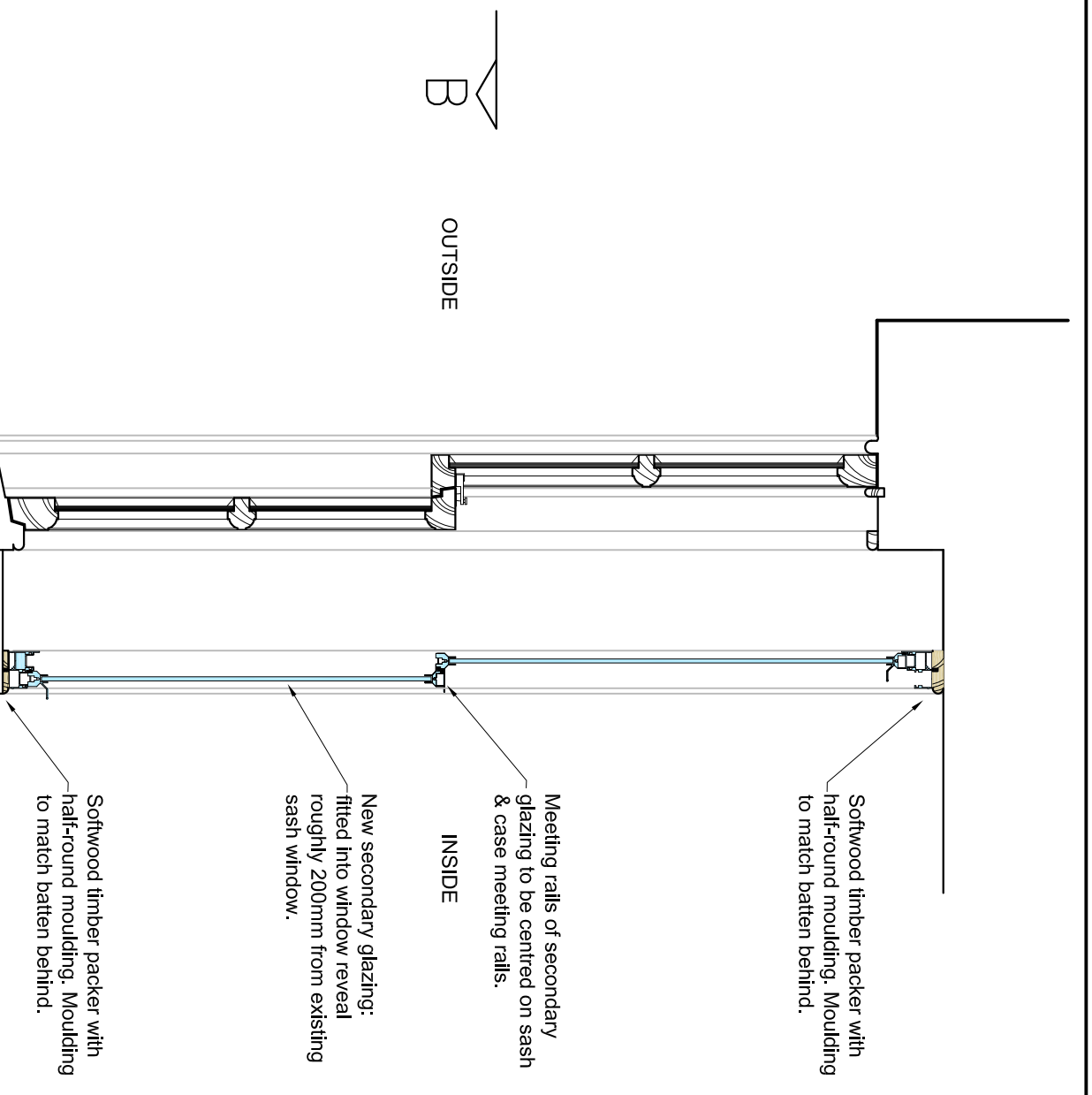
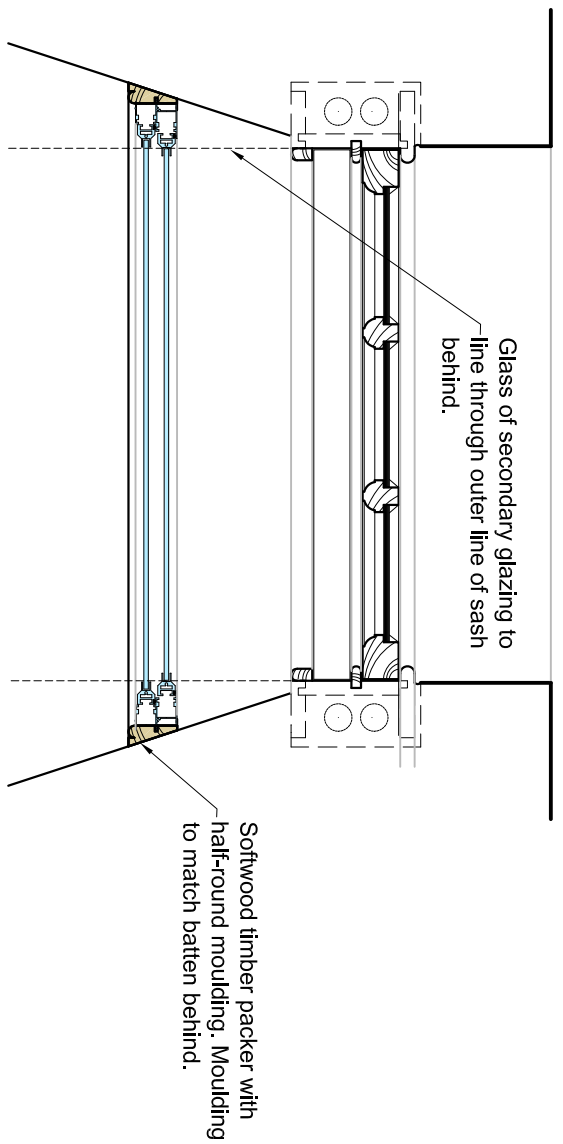


Elevation - Window WF20 (Scale 1:10)



Section AA - Window Type WF20 (Scale 1:10)



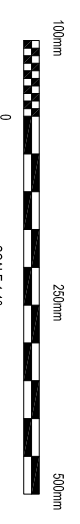
Plan BB - Window WF20 (Scale 1:10)

SPECIFICATION:
 NEW SECONDARY GLAZING - GLOSS WHITE FINISHED ALUMINIUM. UNITS TO BE FITTED WITH 4mm TOUGHENED GLASS.

DIMENSIONS OF UNIT TO BE DETERMINED ON SITE AND CONFIRMED TO DISTRICT ARCHITECT PRIOR TO MANUFACTURE.
 SCREW FIXINGS INTO EXISTING TIMBER TO BE KEPT TO A MINIMUM.

ALL WORKS TO BE CARRIED OUT IN ACCORDANCE WITH THE GUIDANCE GIVEN IN THE HISTORIC SCOTLAND PUBLICATIONS 'GUIDE FOR PRACTITIONERS 3 - CONSERVATION OF SASH & CASE WINDOWS' AND 'TECHNICAL ADVICE NOTE 3'.

Window WF20 used as the internal reveal is both the shortest and thinnest on the 1st floor.



© Crown Copyright. Historic Environment Scotland. Ordnance Survey and Aerial Imagery Data. Historic Environment Scotland © Crown copyright and database right 2018. Ordnance Survey 100057073. © Geonames. Ordnance Survey Data. You are permitted to use the data solely to enable you to respond to, or liaise with, the organisation that provided you with the data. You are not permitted to copy, redistribute, publish or sell any of the data in any form or by any means.

SMCP

OWNER
 Edinburgh Castle
 PROJECT
 Queen Anne Building - Secondary Glazing
 Typical Window Detail

HISTORIC ENVIRONMENT SCOTLAND
 AA-INNEACHD EACHDRAIDHEIL ALBA

PROJECT DRAWING NUMBER
 130P082016-SMCO03
SCALE
 1:10 @ A3
DATE
 16th September 2016
ACORN NUMBER

DESIGNER
 DB/BC
CHECKER
 DB/DN

© Crown Copyright. Historic Environment Scotland. Ordnance Survey and Aerial Imagery Data