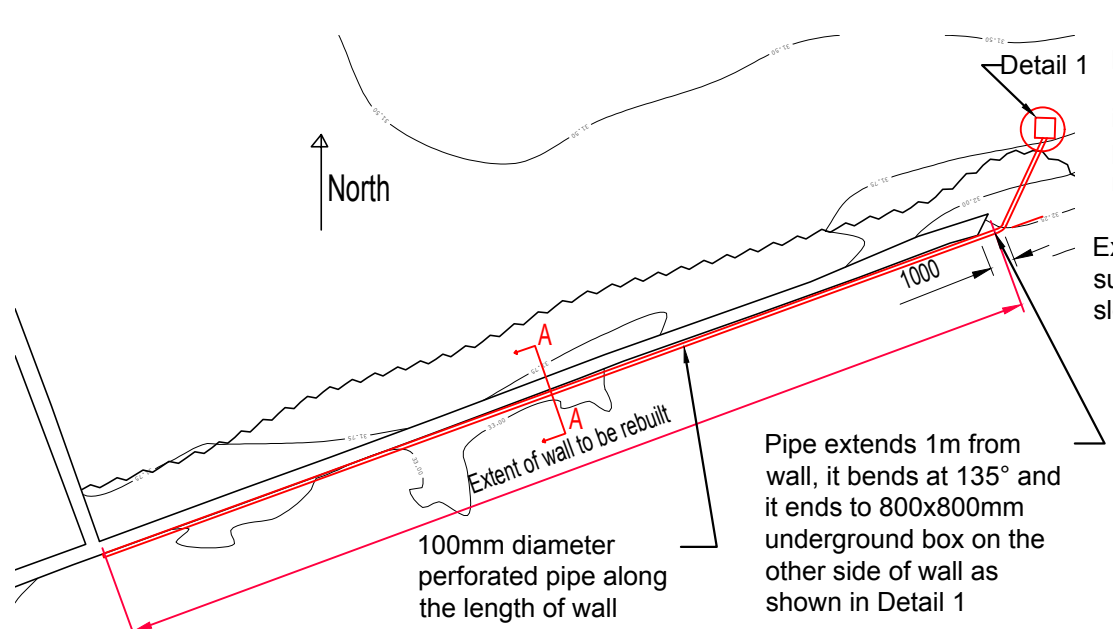
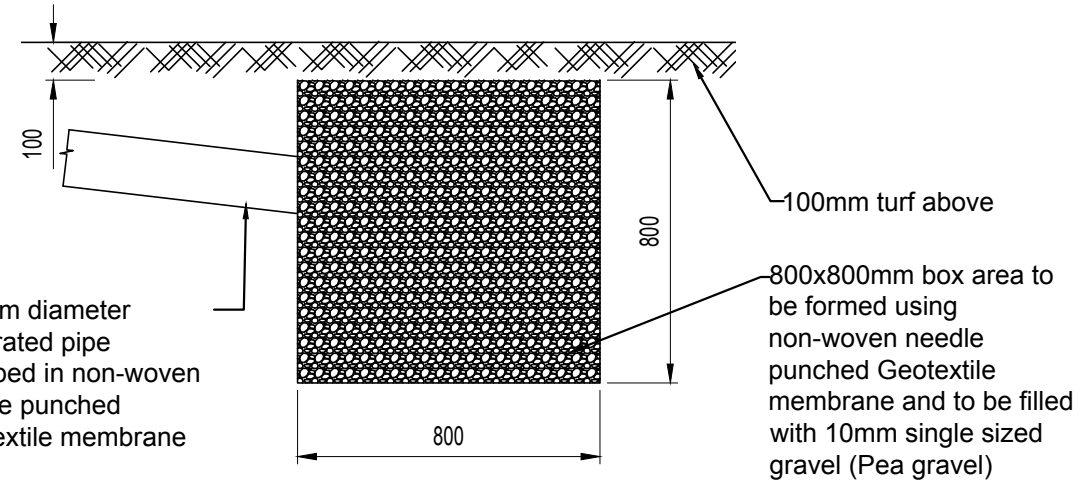


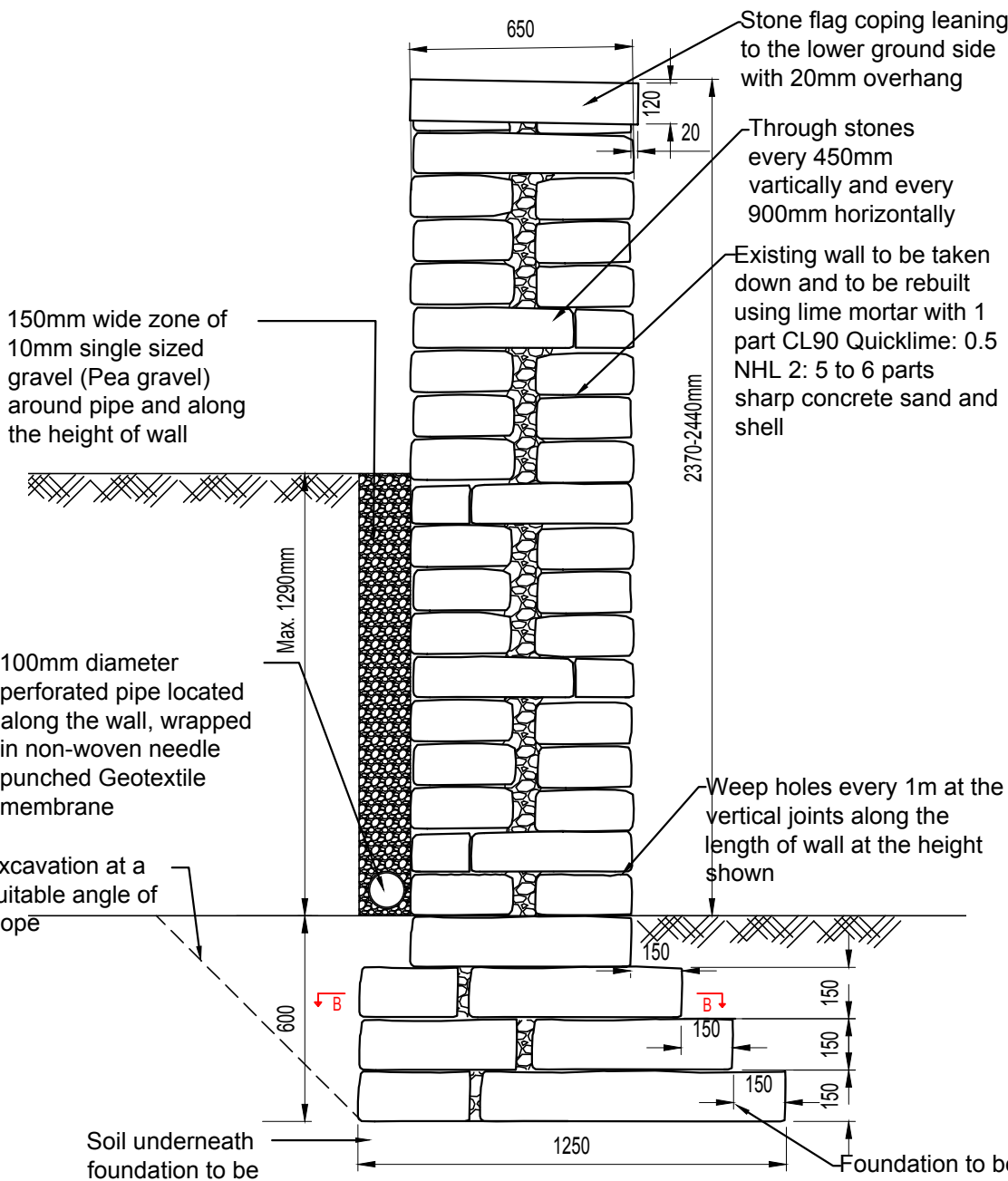
Location plan (1:2000)



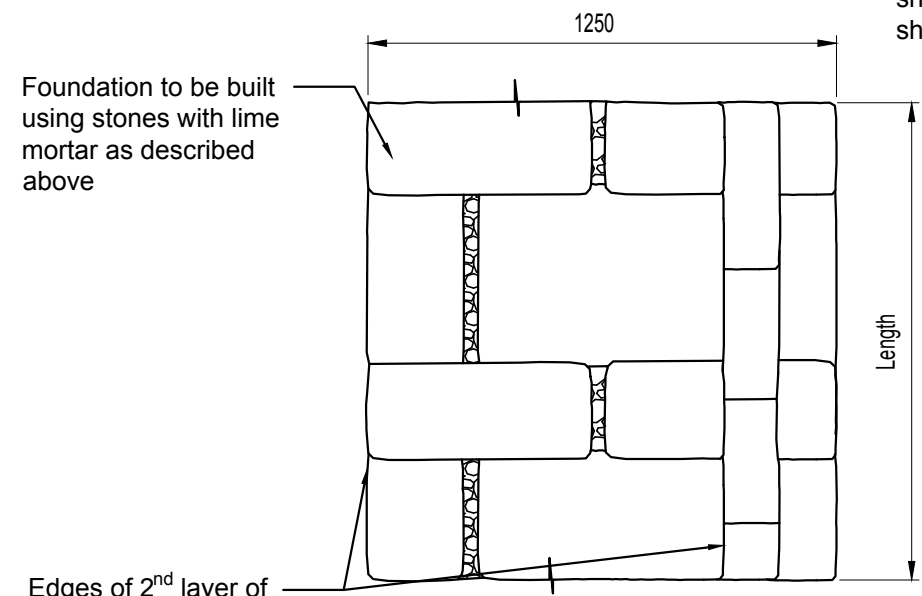
Plan of wall and pipe (1:300)



Detail 1 Cross section of box where pipe ends (1:20)



Cross section A-A (1:20)



Cross section B-B of foundations (1:20)

Notes:

Residual Risks	
	1. Excavation of soil up to 1.90m
	2. Unstable wall
	3. Manual handling
	4. Unknown services

Revisions:

Contains Historic Environment Scotland, Ordnance Survey and Aerial Imagery Data  
 © Historic Environment Scotland © Crown copyright and database rights 2016  
 Ordnance Survey [100057073] © Getmapping

Ordnance Survey Data  
 You are permitted to use this data solely to enable you to respond to, or interact with,  
 the organisation that provided you with the data. You are not permitted to copy,  
 sub-licence, distribute or sell any of this data to third parties in any form.



MONUMENT	Kinneil House
PROJECT	Garden Wall Reconstruction details



PROJECT DRAWING NUMBER	EDS 4.1.100/06	
SCALE	As shown @ A3	Engineer F Nanopoulou
DATE	05/10/2016	DRAWN BY FN
ARCHIVE NUMBER		