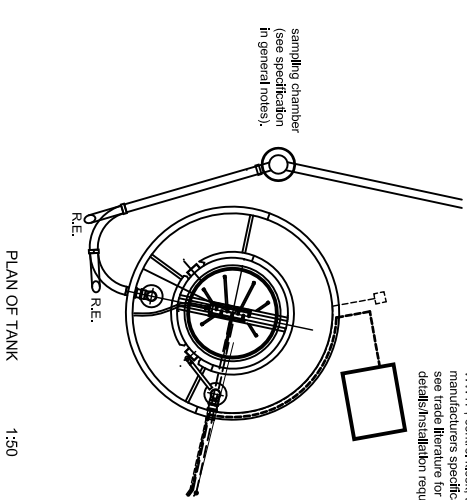
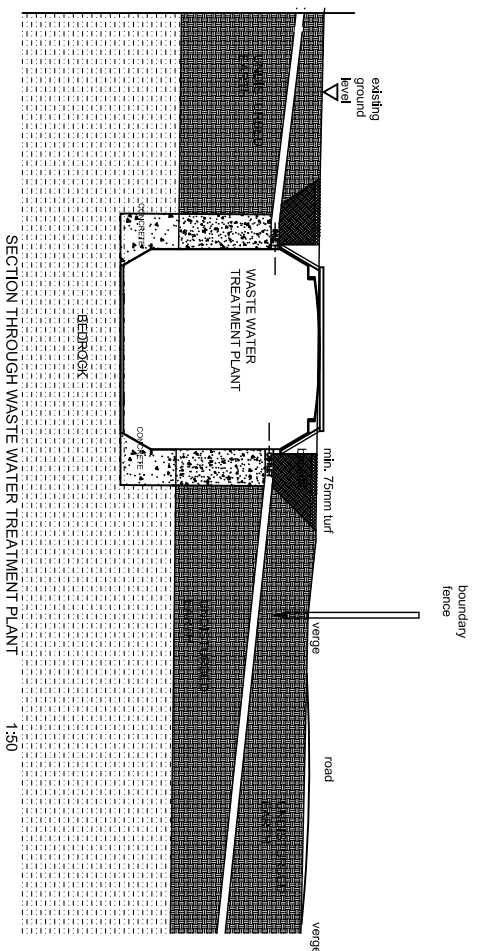


WWTP, to be connected to existing outlet pipe, to Deveron River.

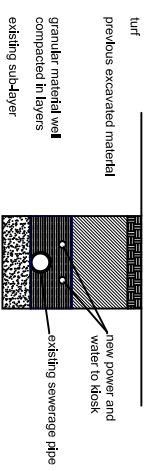
WWTP control block to manufacturer as specifications see trade literature for further details/installation requirements.



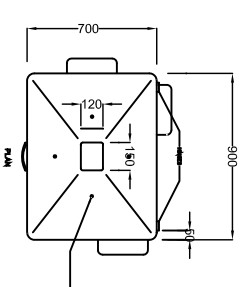
PLAN OF TANK 1:50



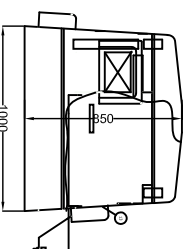
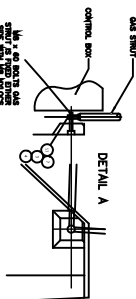
SECTION THROUGH WASTE WATER TREATMENT PLANT 1:50



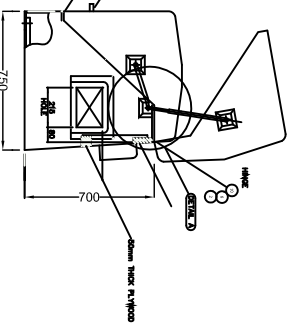
EXISTING TRENCH DETAIL 1:20



FIT 4 OFF BIG-HEAD STUDS TYPE M16/23 - 4.75 X 30/S3

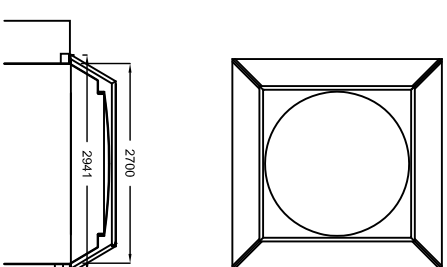


FRONT ELEVATION

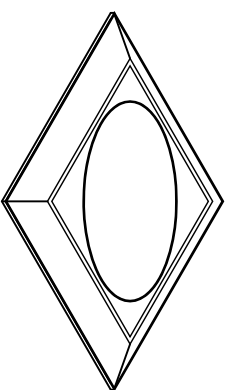


SIDE ELEVATION

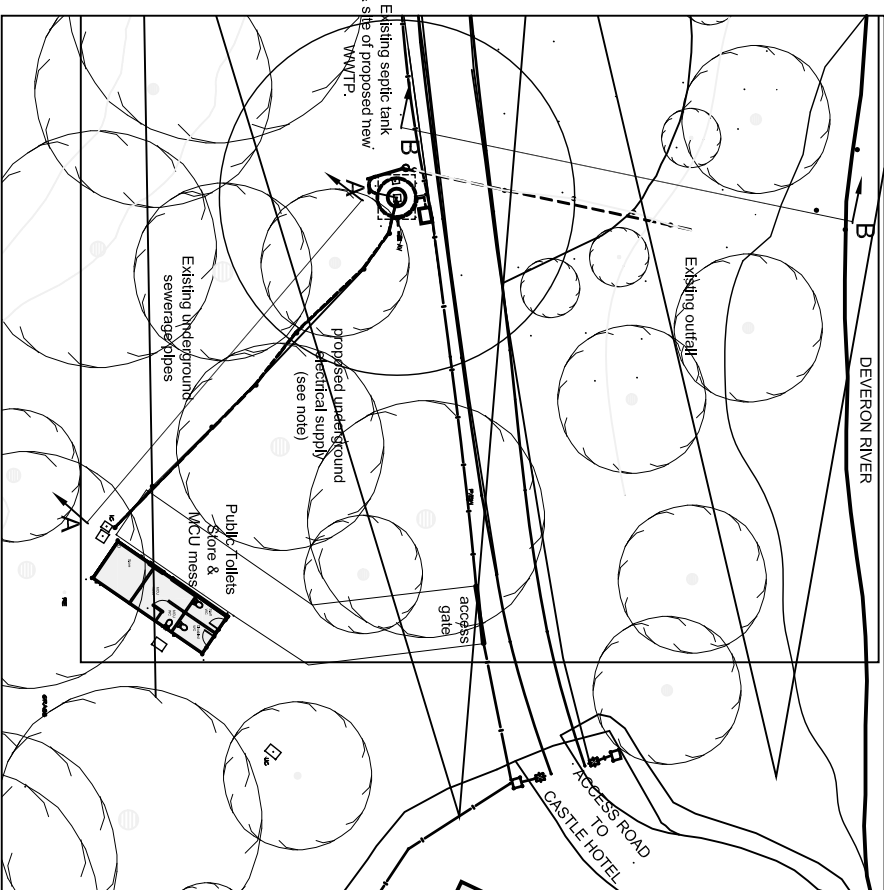
KIOSK DETAILS, INCLUDING LID 1:20



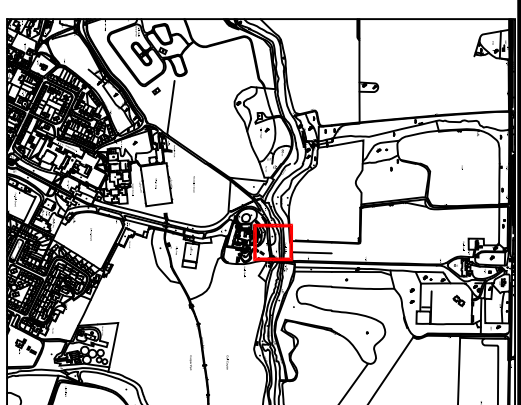
Purpose made lid 1:50



Purpose made lid 1:50



SITE PLAN 1:250



LOCATION PLAN 1:10000

This map is reproduced from Ordnance Survey material with the permission of Ordnance Survey on behalf of the Controller of Her Majesty's Stationery Office © Crown Copyright. Unauthorised reproduction is prohibited. Ordnance Survey, 100 Brook Hill Drive, Basingstoke, Hampshire, UK. OS 100017088 (2014).

General Note

New waste water treatment plant (WWTP), to be installed on the site of the existing brick built, main chambered septic tank. The existing chambers are to be broken out & removed down to bedrock, and then the new treatment tank placed into excavated area, according to manufacturers detail. The sewerage pipe from the existing table block is to be retained, and only the inlet spout at the new tank is to be excavated to make good the connection. The outlet pipe from the new tank is to be laid in the existing trench, and connected to the existing outlet pipe which discharges into the Deveron River.

The new installation is to have an electric supply controlled via a block (see detail opp.), which will control the operation. It is to be cased close by (see plan). This will be electrically switched from the existing table block (see plan). A vandal proof lid is to be fitted to the WWTP, to allow inspection/maintenance. The inspection chamber is to have a vandal proof lid, to allow local authority, sampling/inspection.

An allowance should be made to supply the block with a single/3 phase electric supply and to fit a warning lights/sounder to alert staff the effluent needs emptying. Staff will require training to alert the local authority, and have it emptied. The WWTP manufacturer will advise specify the required equipment.

The WWTP is to have a cast concrete surround or designed metal frame, around top, to allow the fitting of a vertical inspection access hatch/lid to allow inspection/maintenance.

Plumbing

There will need to be an allowance made for connections to existing below ground cast iron plumbing goods, to PVC sewerage plant, using a DS549 (110mm dia.), At the sewerage treatment tank outlet, there will need to be a bend in the pipework using 2 no 97.5° long radius (450mm) bends DS 585; 2 no single equal access (450mm) bends DS 585; 2 no single equal access (450mm) bends DS 585; 2 no single equal access (450mm) bends DS 585; with blanking plugs DS 56, also appropriate number of riser sections DS 58 (5ho = 12m dia including base)

Electricity

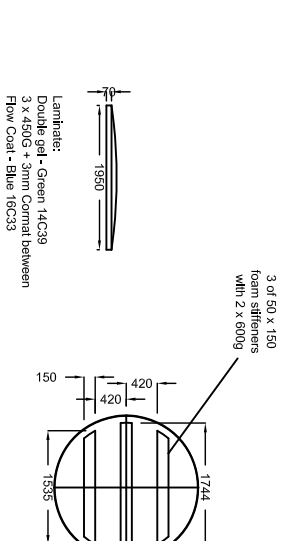
An allowance to be made for connecting the block to the existing single phase supply at the mess factory, approx. 30 metres away. All to be fitted to manufacturers specifications.

BUILDING WARRANT

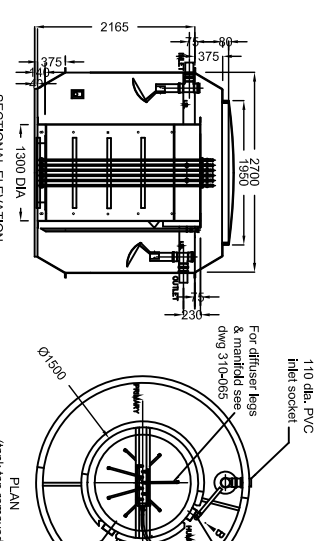
CLIENT: HUNTLY CASTLE
 PROJECT: PROPOSED REPLACEMENT WASTE WATER TREATMENT PLANT
 HISTORIC SCOTLAND
 ALBA AOSMHOR

SCALE: DRAWING NUMBER	DATE	BY	CHECKED
1:200 (TANK) 1:1000 (SITE)	1:10000 @ A1	31-03-2014	
PROJECT NUMBER	CLIENT	SCALE	DATE
429-165-301	Scott Hamilton		

WPT - Septic Tank (Huntly Circular Plant) is to be installed by specialist contractor, to the manufacturers specifications and construction details. The septic tank is to be bedded directly onto sand bedding on bedrock. The area will require substantial excavation to allow safe installation. The angle of repose around 45°, as shown on detail above. The Septic tank is to be a self contained waste water treatment plant, with electrical supply to the control block (detail opp.) which is cased closely. The existing underground waste pipes are to be retained (where practicable) to minimise ground disturbance. The bedrock levels are indicated on the section (above) and there is a full independent consultants report produced to give exact location/depths.



SECTIONAL ELEVATION



PLAN (tank top removed)

WWTP DETAILS, INCLUDING LID 1:50