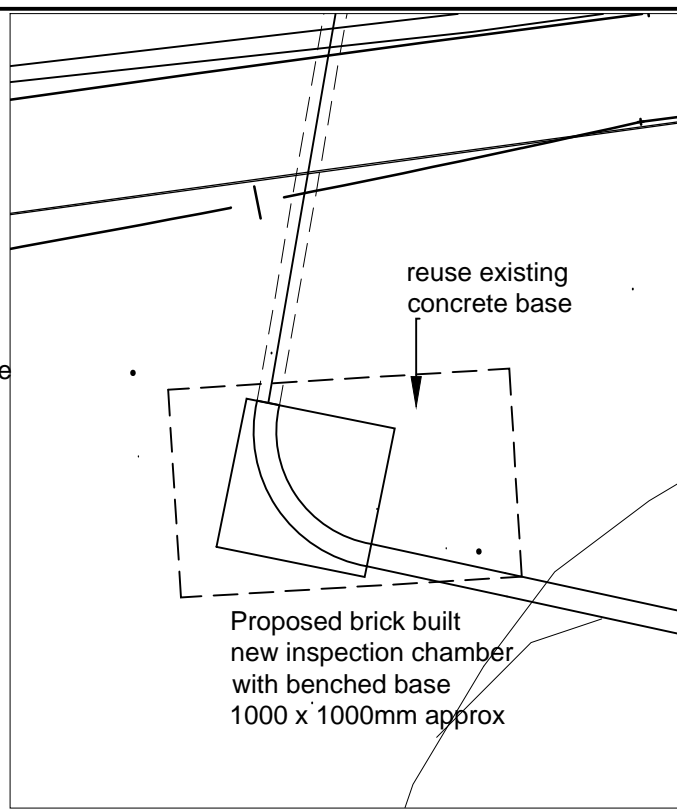
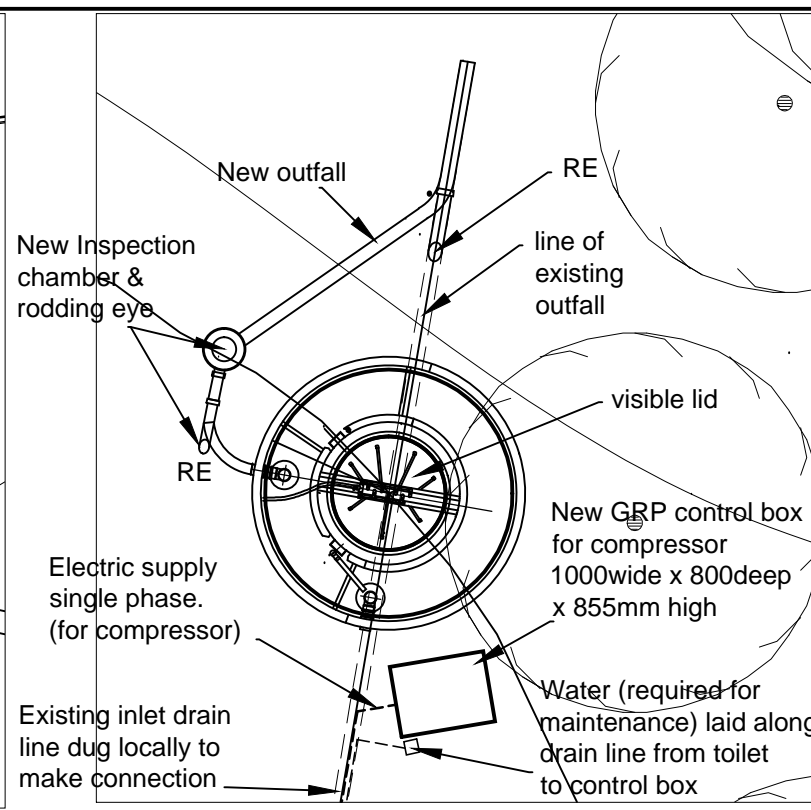


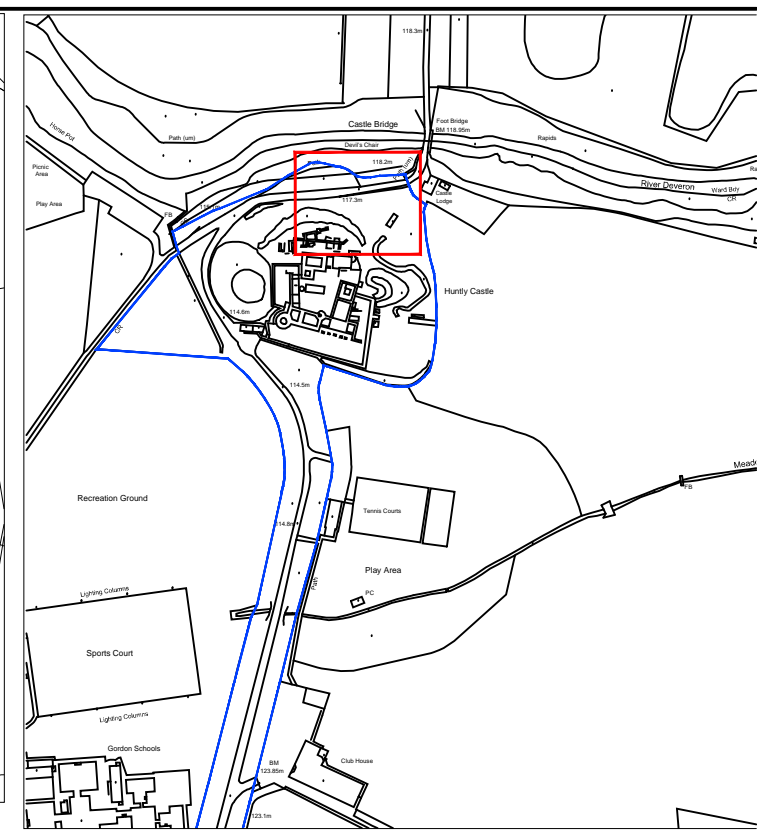
PLAN OF EXISTING TWIN CHAMBERED SEPTIC TANK - 1:50



PROPOSED ROUTE CHANGING MANHOLE AT OLD TWIN CHAMBERED TANK POSITION - 1:50



PLAN OF NEW TANK POSITION - 1:50



LOCATION PLAN 1:10000

This map is reproduced from Ordnance Survey material with the permission of Ordnance Survey on behalf of the Controller of Her Majesty's Stationery Office © Crown Copyright.

Unauthorised reproduction infringes Crown Copyright and may lead to prosecution or civil proceedings. Historic Scotland Licence No. 100017606 (2015).

SEPA - Licence applied for to update records/existing.  
SMC - Has been obtained.

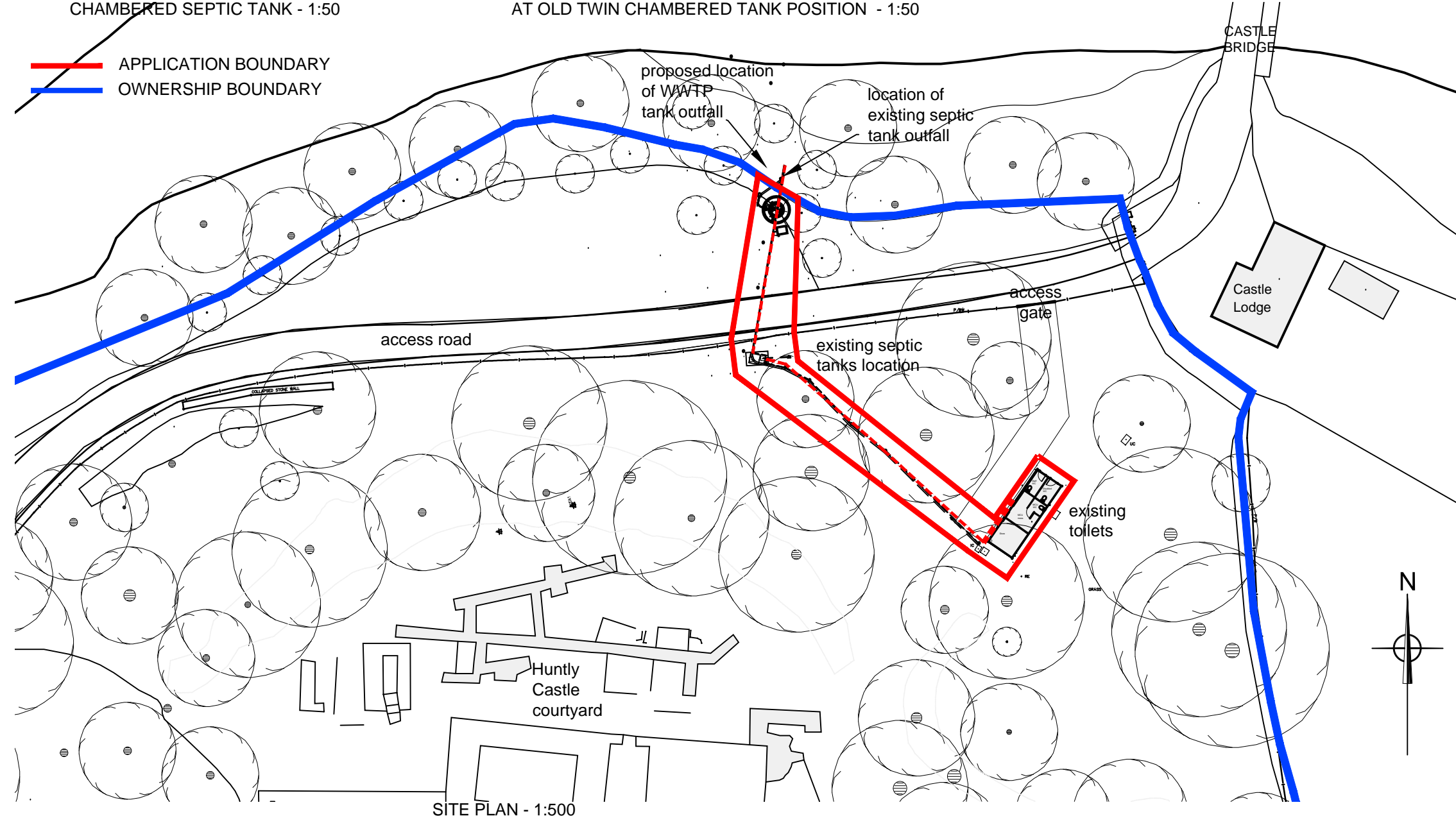
## PLANNING

Rev B - App and Ownership Boundaries added - 15-07-2015  
Rev A - changes to proposed WWTP location - 24-02-2015

MONUMENT	HUNTLY CASTLE
PROJECT	INSTALLATION OF W.W.T.P.



PROJECT DRAWING NUMBER	
SCALE	1:50 1:500 1:10000 @ A3
DATE	21-06-2013
ARCHIVE NUMBER	429-165-299 B
ARCHITECT	
DRAWN BY	Scott Hamilton



SITE PLAN - 1:500