

LEGEND

- Clear 10mm safety frameless glass screen
- Solid 30mm thick Dekton Sirius countertop
- Tiled surface A, Domus Dechirer DTD01 NATURAL and brass square edge tile trim
- Tiled surface B, Domus Dechirer DTD01 DECOR and brass square edge tile trim
- Dulux Trade Off White Masonry Paint, refer to AL(41)00.
- Exposed extract duct by contractor
- Timber baton substructure with 12 mm ply lining
- 20mm thick 60 min rated fire board floor plate to spread weight of pizza unit.
- Low level air vent as per gas pizza oven specification, cut out in tiled cladding with brass square edge tile trim to all openings
- Stainless steel carcass, internal shelves and doors. Stainless steel lined niche with matching tray run bars to end for pizza trya storage. undercounter fridge and sink with counter top mounted tap.
- Refer to AL(80)00 and equipment schedule for further information. Refer to AL(70)009 for cladding detail.
- Gozney pizza oven must be set 50mm minimum off of combustible surface however we suggest 100mm off of exposed timber beam due to sensitivity of site. Exposed extract duct to puncture through ceiling to roof. Dimensions and exact position to be agreed on site prior to installation.
- All details for extract and position of pizza oven to be agreed with M&E consultant and subject to client approval.
- All dimensions to be checked on site by contractor prior to construction. All fixings to be discreet. Fixings are not permitted into original timber trusses and walls unless previously agreed with client due to listing of original building fabric. All materials and equipment to be installed as per manufacturers recommendations.

REVISION
A 12.02.16 CM CONSTRUCTION UPDATE



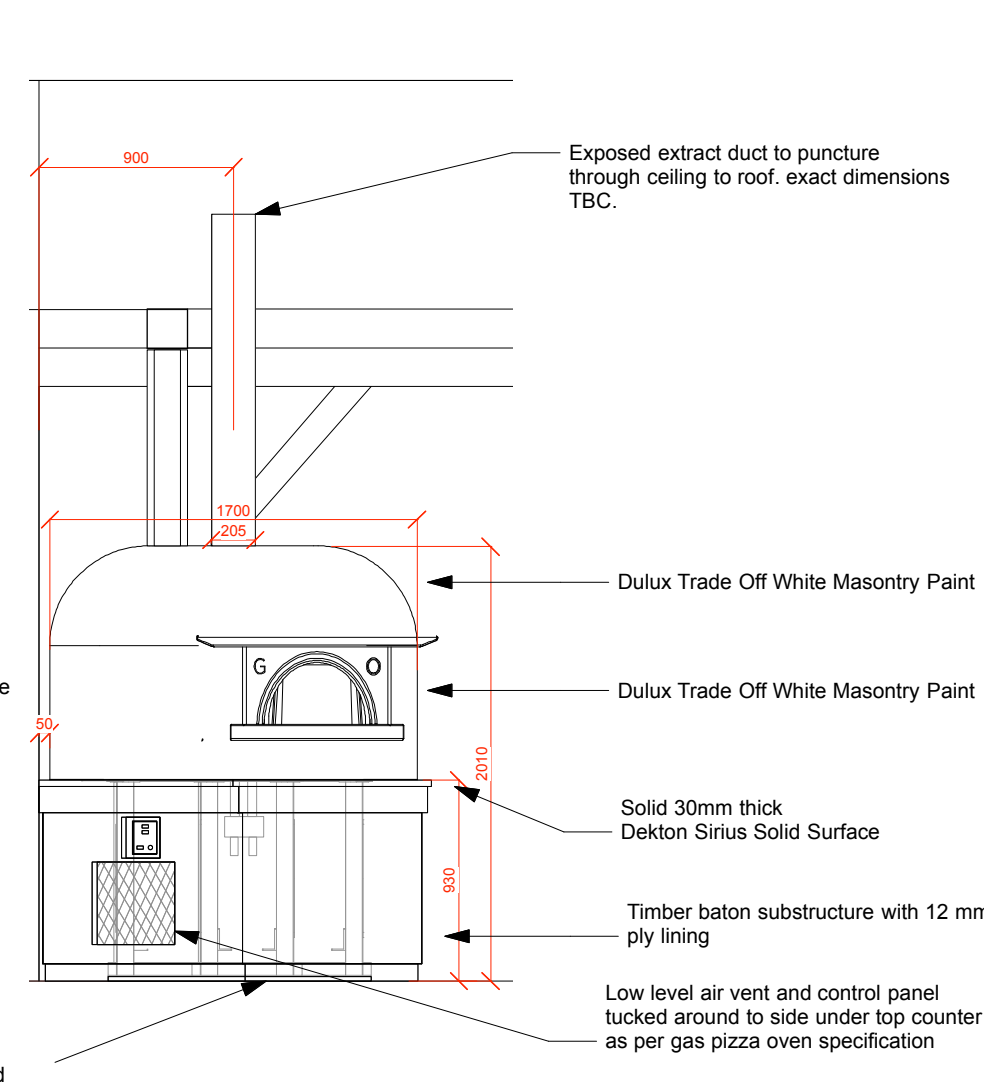
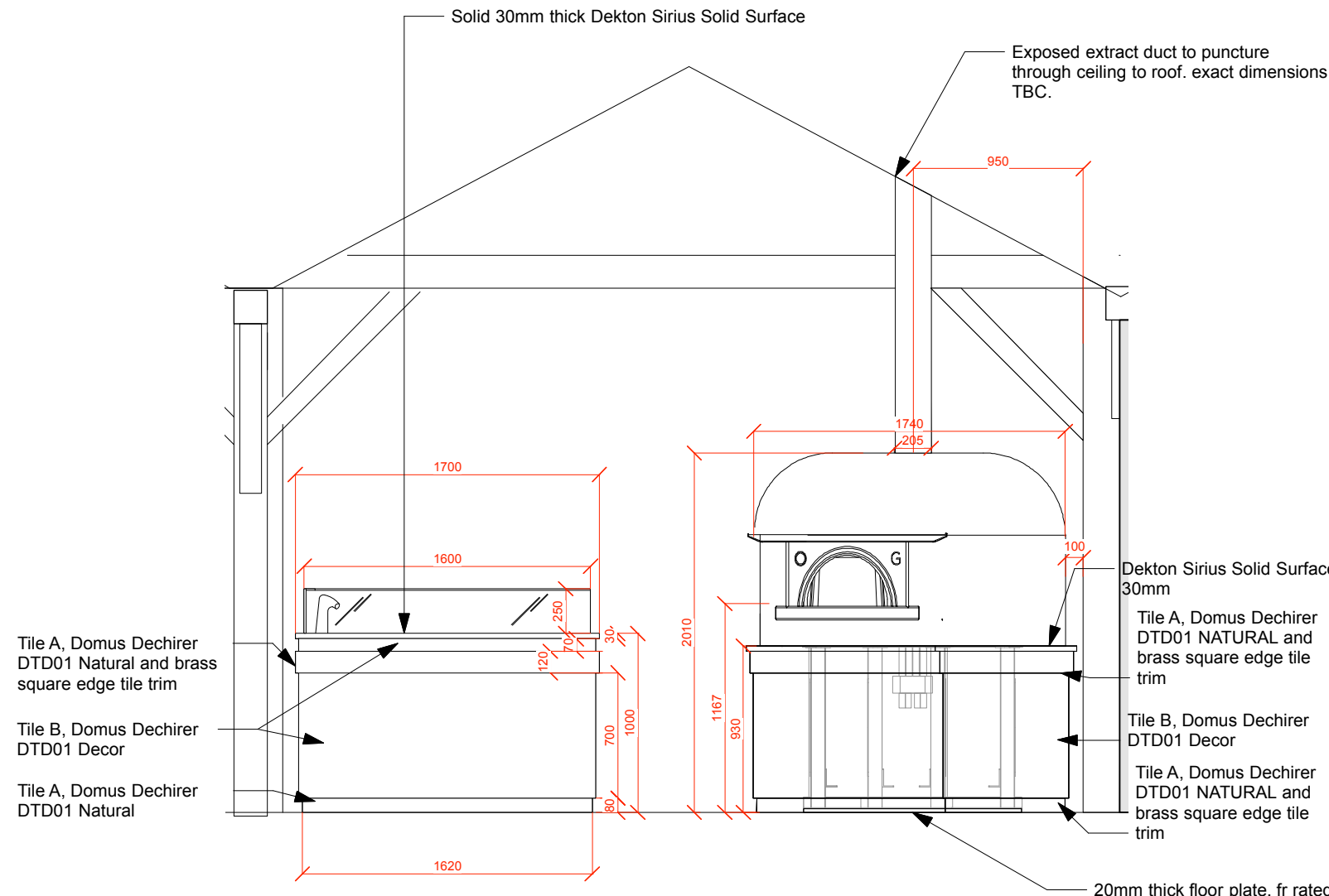
CONSTRUCTION

client>	
BENUGO	
project>	
RED COAT CAFE AND JACOBITE ROOM, EDINBURGH CASTLE	
title>	
PROPOSED PIZZA AREA ELEVATION	
drawn by>	date>
CM	12.02.16
scale>	revision>
1:35 @ A3	A
drawing number>	
AL(70)003	

This drawing is to be read in conjunction with standard details and specifications. All works to comply with current building regulations. This drawing is the property of 442 Design, all copyright is reserved. This drawing is issued on condition that it is not copied, reproduced, retained or disclosed to any unauthorised person either whole or in part.

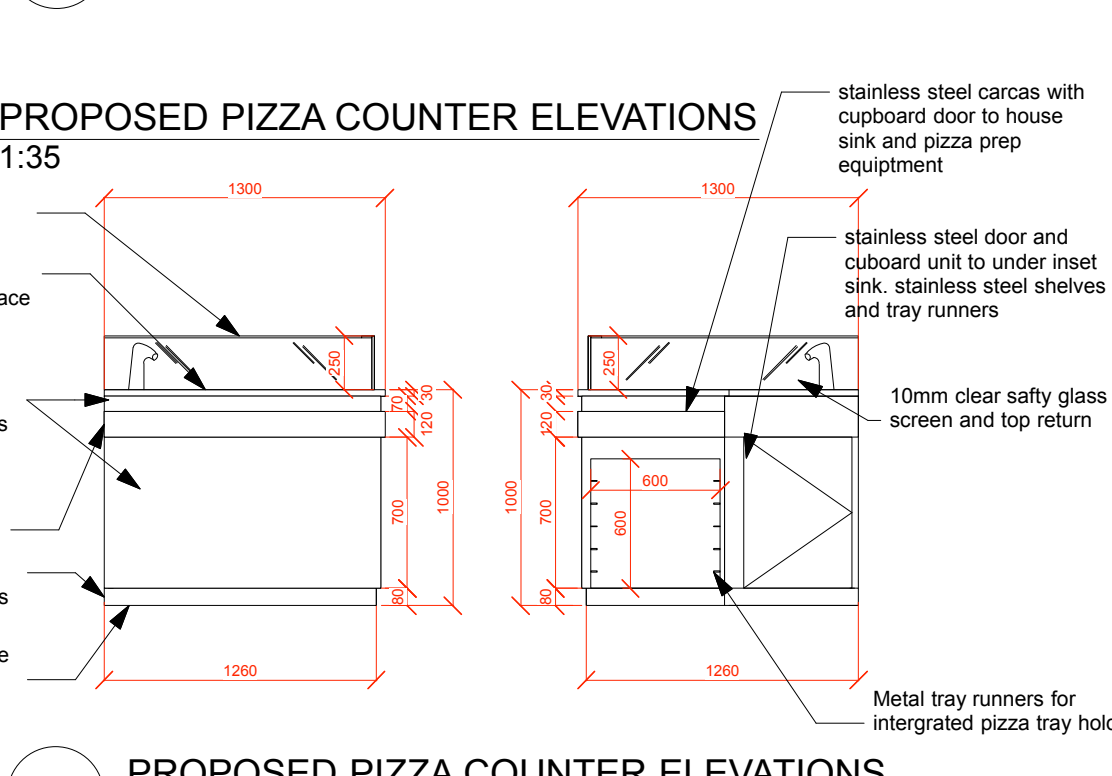
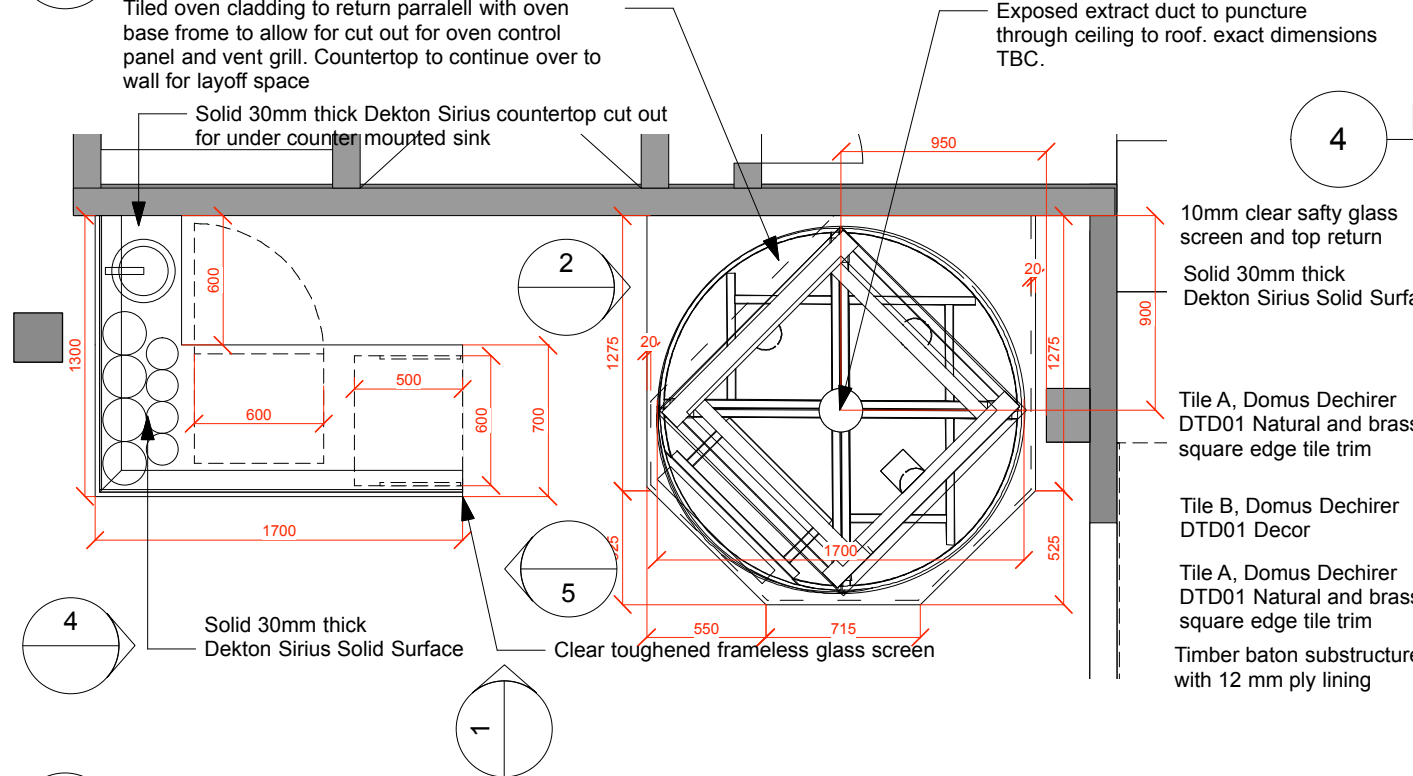
442 Design to be notified of any discrepancies which occur on site. Any modifications which result from said discrepancies to be approved by designers.

DO NOT SCALE FROM THIS DRAWING.
ALL DIMENSIONS TO BE CHECKED ON SITE BY CONTRACTOR PRIOR TO COMMENCEMENT OF ANY WORKS.



1 PROPOSED PIZZA COUNTER AND OVEN ELEVATION
1:35

2 PROPOSED PIZZA OVEN ELEVATION
1:35



3 PROPOSED PIZZA COUNTER AND OVEN PLAN
1:35

4 PROPOSED PIZZA COUNTER ELEVATIONS
1:35

5 PROPOSED PIZZA COUNTER ELEVATIONS
1:35

All proposed works subject to HES arranged Asbestos survey / report. HES to inform main contractor and 442 design of the findings of asbestos survey / report prior to any proposed works on site