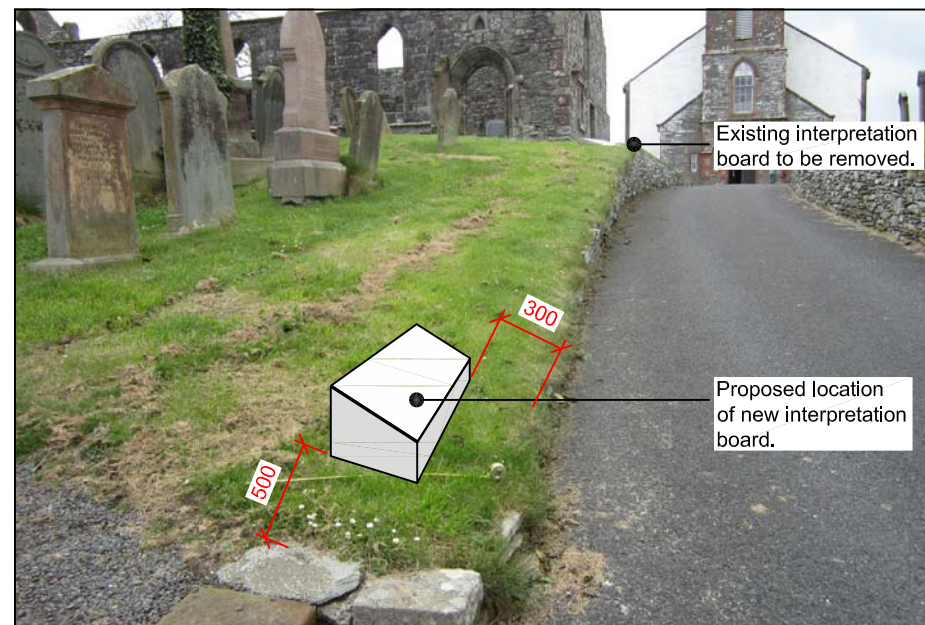


1:250 LOCATION PLAN: showing proposed location of new interpretation board.



PROPOSED LOCATION OF NEW INTERPRETATION BOARD.

Existing stone interpretation board plinth to be removed. Ground at removed plinth to be backfilled before turf installed to make good. Any foundation interfering with turf re-instatement to align with adjoining levels to be grubbed/broken/cut out. Any foundation below a depth of 150mm to be left in-situ. Turf removed from new location to be laid to fill hole with make up soil and grass seed as necessary.

Notes:

FITTING INSTRUCTIONS FOR PLINTH MOUNTED INTERPRETATION BOARDS:

Mark the acrylic Fixing Plate in one corner - to ensure that acrylic is kept the right way round and to get a tight fit at the end of installation.

Undo the security screw and take the acrylic Fixing Plate out. Hold it to the top surface of the cairn and mark the location of the proposed fixing positions.

Put sellotape over the marks, which helps stop splinters. Drill holes suitable for **countersunk** fixings so the Display Sign will fit flush over the Fixing Plate.

Hold the Fixing Plate back onto the cairn and mark the spots to drill into the cairn or drill pilot holes through the holes in the Fixing Plate.

Drill the fixing holes into the cairn plinth.

Fix the acrylic with bolts and plugs suitable for the fixing hole depth. If the cairn top is uneven pin the acrylic off slightly with plastizote spacers. **Do not** twist the acrylic.

Fit the Display Sign front back over the acrylic Fixing Plate and secure it in place with the security grub screws, around the perimeter.

Revisions:

This map is reproduced from Ordnance Survey material with the permission of Ordnance Survey on behalf of the Controller of Her Majesty's Stationery Office © Crown Copyright.

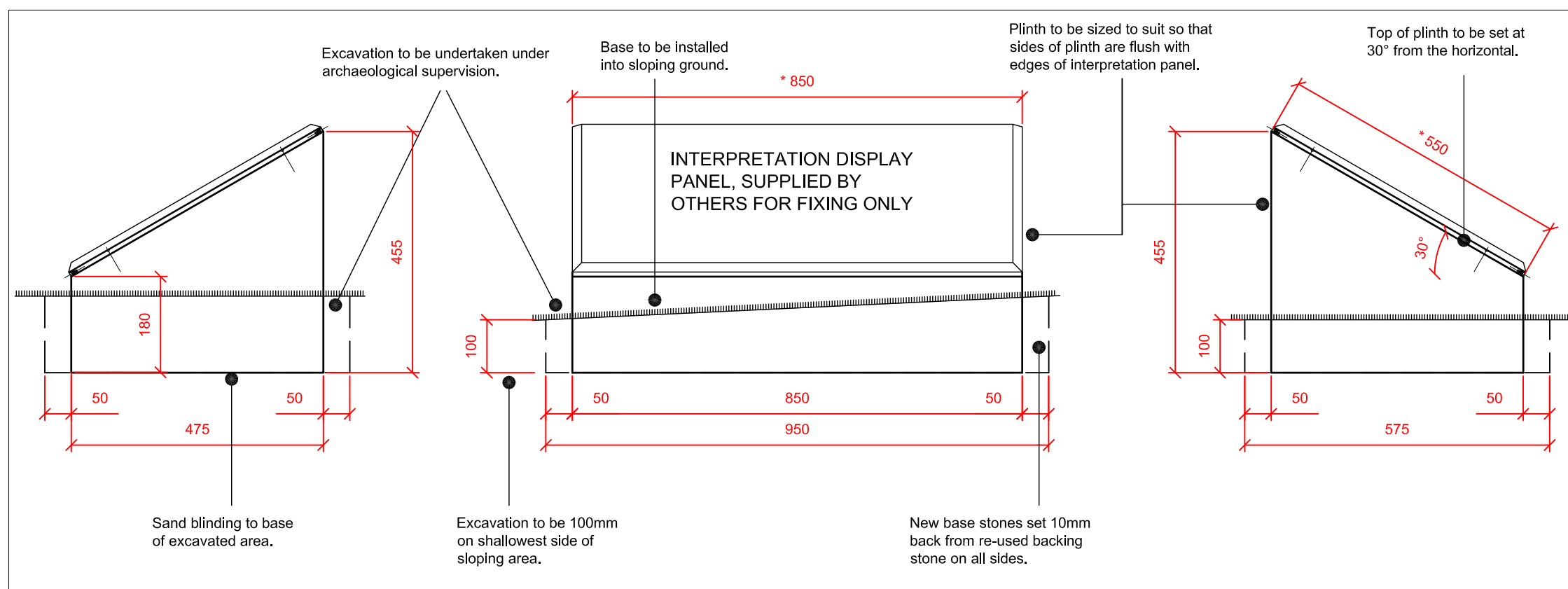
Unauthorised reproduction infringes Crown Copyright and may lead to prosecution or civil proceedings. Historic Scotland Licence No. 100017606 (2015).

SMC

MONUMENT	WHITHORN PRIORY
PROJECT	NEW INTERPRETATION BOARD TO GRAVEYARD LOCATION PLAN & DETAILS - ALT PLINTH DESIGN



PROJECT DRAWING NUMBER	12992-151015-002	
SCALE	1:250&1:10@A3	ARCHITECT P.BEATON
DATE	30/10/2015	DRAWN BY S.DEASLEY
ARCHIVE NUMBER	-	



1:10 DETAILS OF PLINTH.