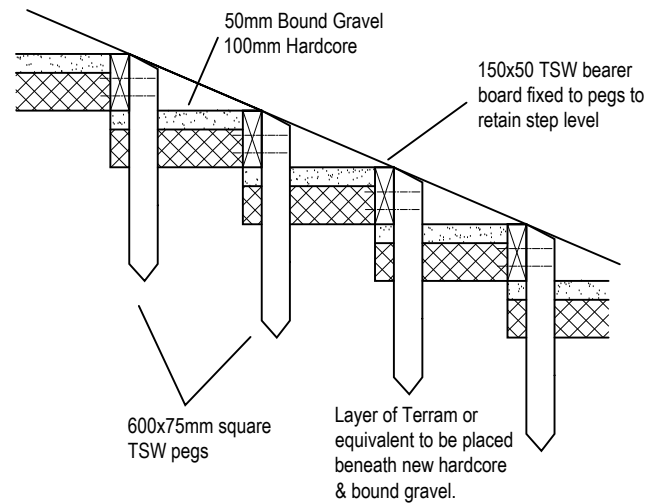


M10 x 150 galvanised coach bolt & nut recessed to fix bearers to pegs.

150x50 TSW bearer board fixed to pegs to maintain regular edge.



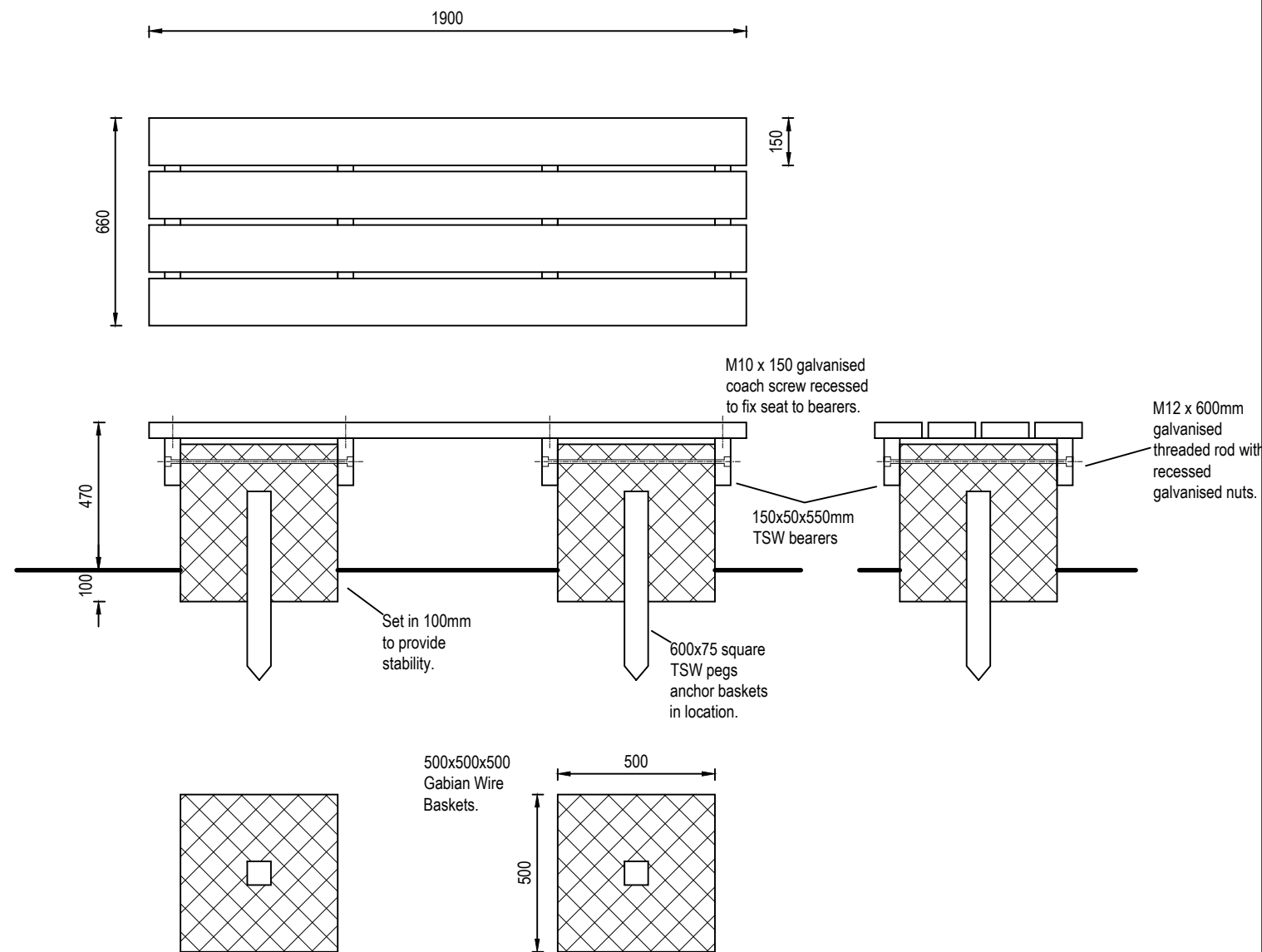
50mm Bound Gravel  
100mm Hardcore

150x50 TSW bearer board fixed to pegs to retain step level

600x75mm square TSW pegs

Layer of Terram or equivalent to be placed beneath new hardcore & bound gravel.

### Proposed Steps



### Proposed Benches

M10 x 150 galvanised coach bolt & nut recessed to fix bearers to pegs.

600x75mm square TSW pegs placed at 1000mm intervals.

150x50mm TSW bearer board fixed to square peg to retain new path level.

Existing existing turf lifted and replaced with 100mm hardcore and 50mm bound gravel.

Layer of Terram or equivalent to be placed beneath new hardcore & bound gravel.

### Spiral Path

Within the area of works we will lift turf, during which time an archeologist will be in attendance.  
All lifted turf will be retained & reused in places where tree collapse has caused damage to the turf.

Proposed Bench, Path & Stair Details Balnagask Motte Upgrading Works		
Date.	April 2016	
Drawn.	EA	Checked By
Drawing No.	H1135.06	A3

**ABERDEEN CITY COUNCIL**  
 COMMUNITIES, HOUSING & INFRASTRUCTURE  
 LAND & PROPERTY ASSETS  
 DESIGN TEAM HOUSING  
 Marischal College, Second Floor South,  
 Business Hub 10, Broad Street,  
 Aberdeen, AB10 1AB