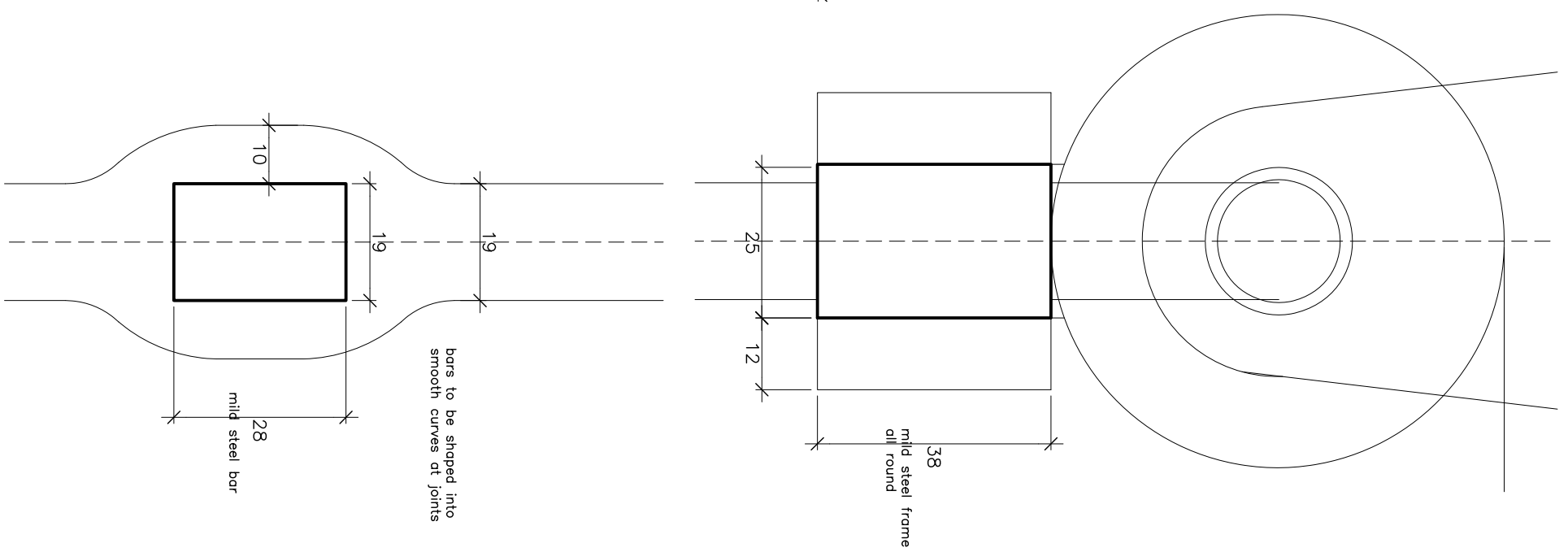
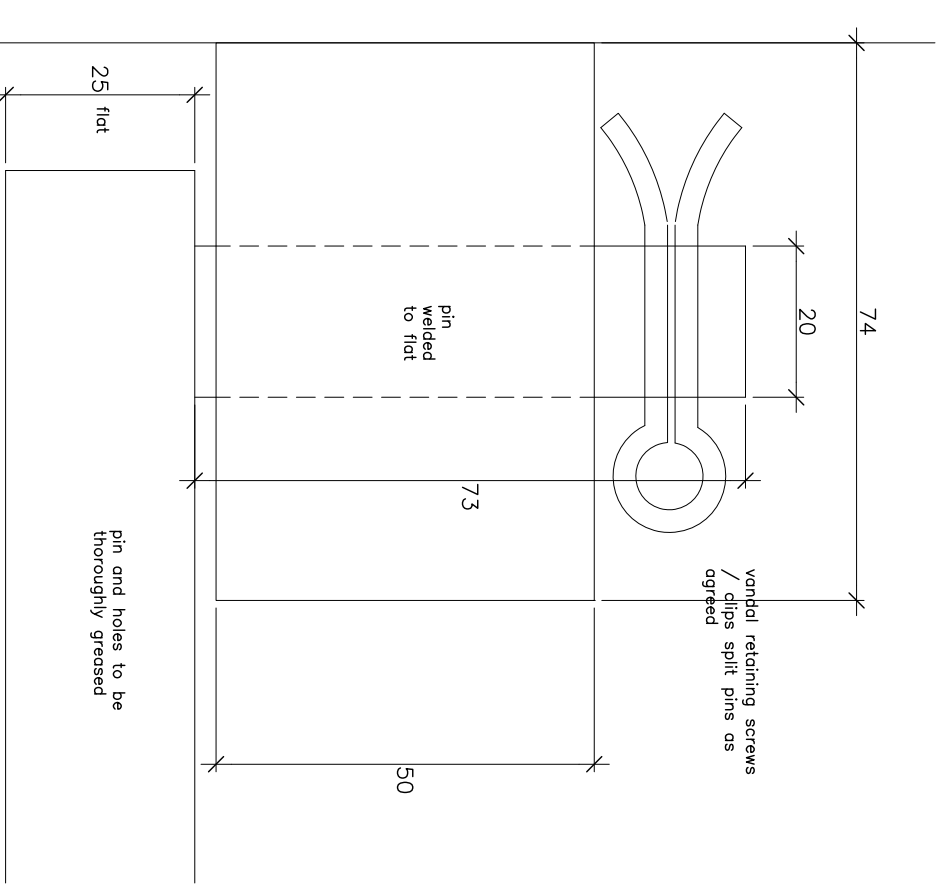


Elevation



FS Details



NOTES

This drawing is copyright and must not be reproduced in whole or in part for any purpose without the Architect's permission. Do not scale from the drawing. All dimensions are minimum and approximate and the must be verified and checked on site prior to manufacture. The design is to be finalised after full site investigations and agreed with the Blacksmith who will prepare FS shop drawings for comment prior to manufacture.

All metalwork to be blacksmith made. The design is for a traditional Scottish yett with interlaced bars, made up from min. 19x28 mild steel bar with min. 25x38 frame. All metalwork shall be dip galvanised and painted using high spec. black paint. All fixings, including hinges and shoot bolts to be into joints.

No.	Revision/Issue	Date

Project Dunollie Castle Conservation
Works Phase 2
Client Dunollie Projects Ltd
Dunollie House
OBAN Argyll PA34 5TT

Title **Yett**

Drawing no. **422/39**

Date 5 April 2016

Scale app. 1:10 + FS @A3

Autocad ref. 422prog2015.dwg